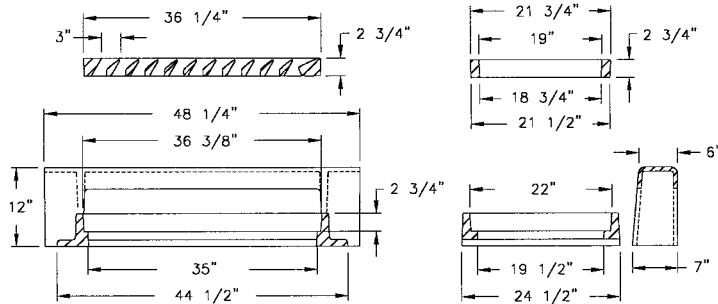


V-4074 CURB & GUTTER INLET

Heavy duty
 Uses V-4070 hood
 Approximate 359 sq. in. open area

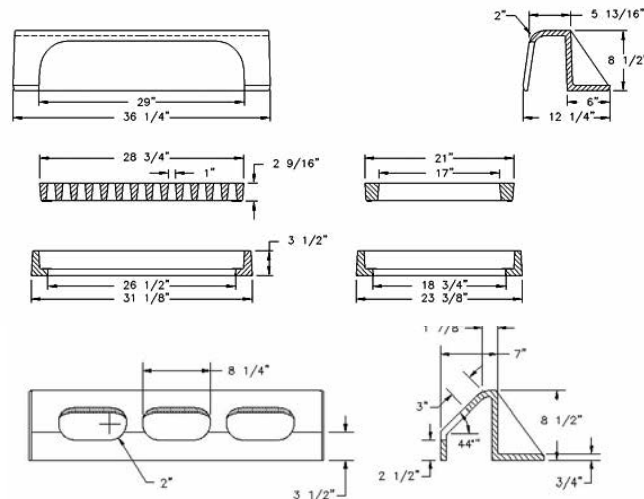
Options
 "DUMP NO WASTE!" lettering and
 fish image



V-4075 CURB & GUTTER INLET

Heavy duty
 Uses V-4275 frame and grate
 Approximate 220 sq. in. open area

Options
 "DUMP NO WASTE!" lettering and
 fish image



With V-4075-1 Mountable Back